

Document availability: **Public**

Title: Improved sealing and immersion depth of lenses for uEye CP Rev.1 cameras (GigE & USB3)

Affected Product:	All IDS uEye CP Rev.1 cameras with GigE and USB3 interface except UI-536xCP and UI-537xCP.
Type of Product Change:	<input type="checkbox"/> Electrical Specification <input checked="" type="checkbox"/> Mechanical Specification <input type="checkbox"/> Optical Specification <input type="checkbox"/> Firmware Specification <input type="checkbox"/> Regulatory or Compliance <input type="checkbox"/> Change of Part Number <input type="checkbox"/> Discontinued Product or Part
Document Version:	1.0
Release date:	25 ^h March.2020



GigE uEye CP Rev.1



USB3 uEye CP Rev.1

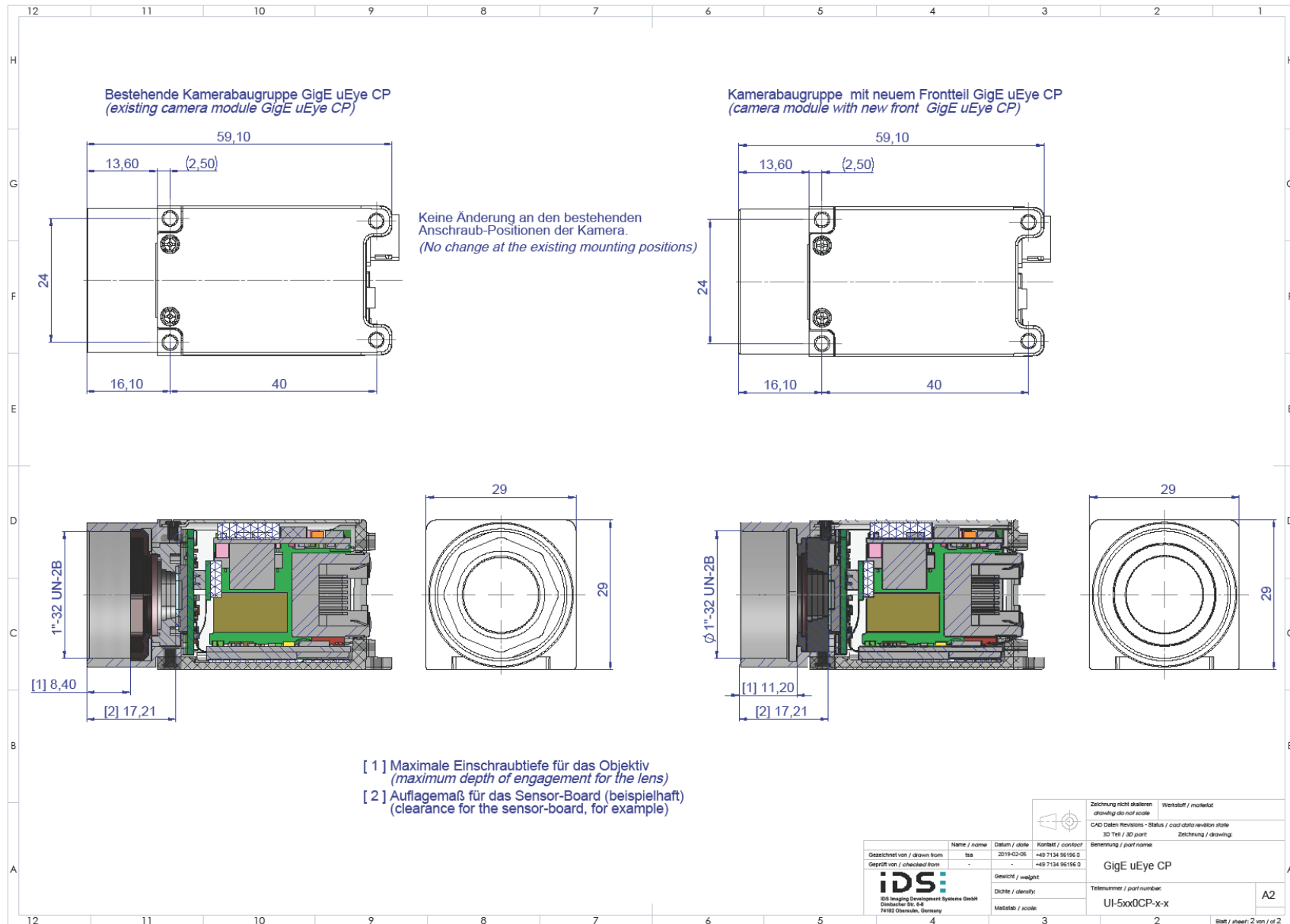
except UI-536xCP and UI-537xCP

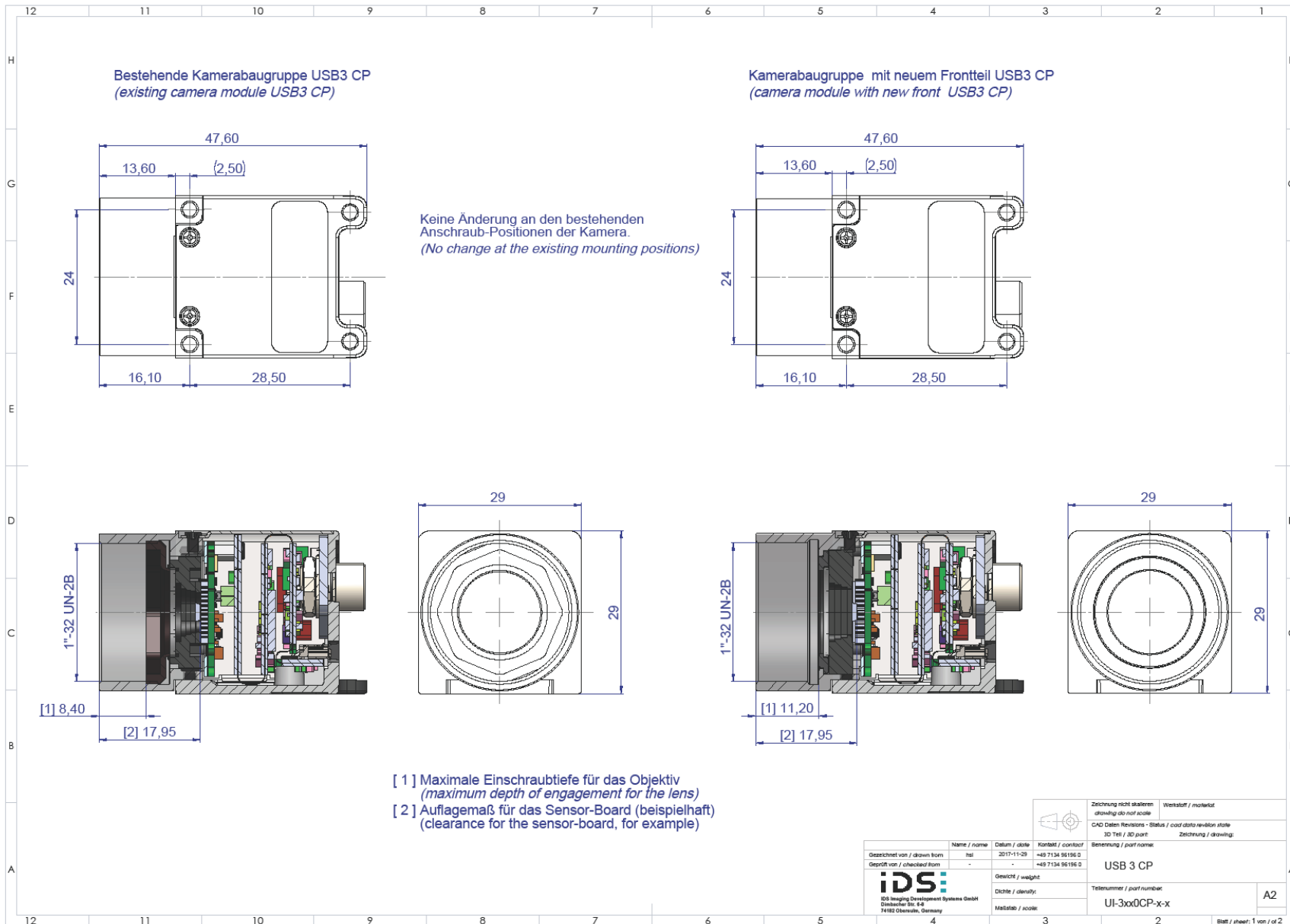
Reasons and description of the product adaption

IDS optimized the front of the uEye CP Rev.1 cameras (GigE & USB3) camera families. Now they have the similar design as the uEye CP Rev.2 cameras.

The benefit is an improved sensor sealing and protection against dust. The depth of immersion for lenses into the C-Mount flange has strongly increased.

The dimension and mechanical data for mounting the cameras stays the same. No changes for mounting the cameras are needed.





Recommended action for customers

No action required by customer if the product is not certified in a medical product. If this should be the case, please contact our sales for an evaluation sample.

Date of change

This product change starts in May 2020 and is rolled out successively for all affected models.