

Mounting the lens module

ESD safety instructions

The rules for handling ESD-sensitive components are to be observed like e. g. by wearing ESD-protective clothes and shoes.

Board-level cameras are especially sensitive to electrostatic discharge. Make sure to avoid mechanical or electrical damage of the printed circuit board or its connections.

- Do not touch the printed circuit board while it is powered.
- Always hold the board by the edges to avoid the risk of electrostatic discharge damage.

Ambient conditions

NOTICE!

The following table applies only to the lens module. Also observe the camera's ambient conditions when using or storing the module with the camera.

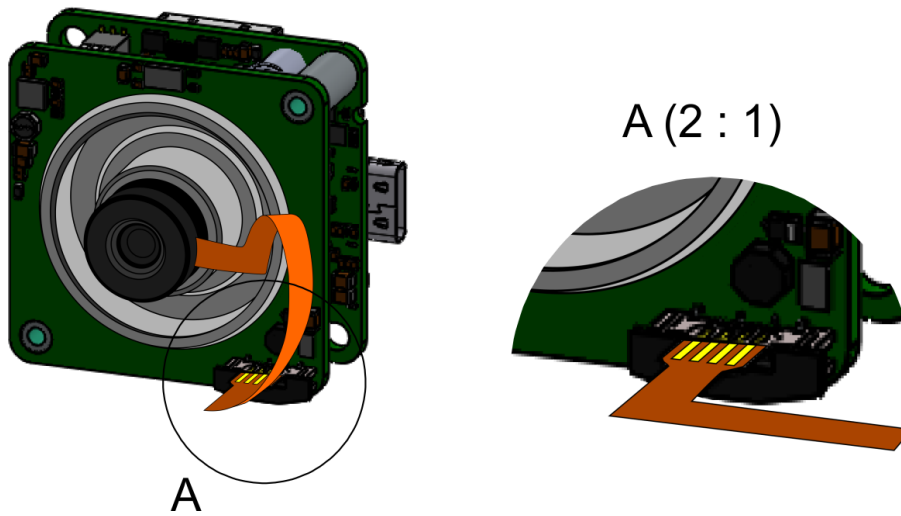
| | |
|-------------------------------------|---------------------------------------|
| Temperature during operation | -30 °C ... 85 °C -22 °F ... 185 °F |
| Temperature during storage | -40 °C ... 85 °C -40 °F ... 185 °F |

How to mount the lens module

1. Set a scene which is at a distance of at least 5 m from the camera.
2. Connect the camera to the PC (without lens).
3. Open the camera in uEye Cockpit.
4. Screw on a locking ring if you want to use it to fix the lens module later.
5. Insert and slightly screw the lens module (unpowered) on the M12 camera lens holder.
→ The image should be out of focus.
6. Screw the module clockwise until the center of the image becomes sharp.
→ The image should be sharp.
7. Disconnect the camera (camera unpowered)
8. From the previous position, screw the lens module clockwise with the following additional turns:

| | Additional turns | Accuracy |
|--------------------------------------|-------------------------|-----------------|
| Varioptics Caspian S-25H0-096 | 2 turns | +/- 1/4 turn |
| Varioptics Caspian S-25H0-026 | 1 1/4 turns | +/- 1/4 turn |

9. Fix the lens module in this position with a locking ring or with glue.
10. At the camera, open the connector for the flex cable of the lens module by pulling off the black cap, see figure below.



(Illustrations may differ from the original)

11. Plug the flex cable of the lens module into the connector so that the contacts show inward.
12. Fasten the connector by closing the black cap.
13. Connect the camera to the PC (camera is powered).
14. Open the camera in uEye Cockpit.
15. Via the "uEye > Properties" menu, open the settings for the camera parameters.
16. In the "Focus" tab, you should be able to adjust the focus of the lens module.

Status: 2019-03-27