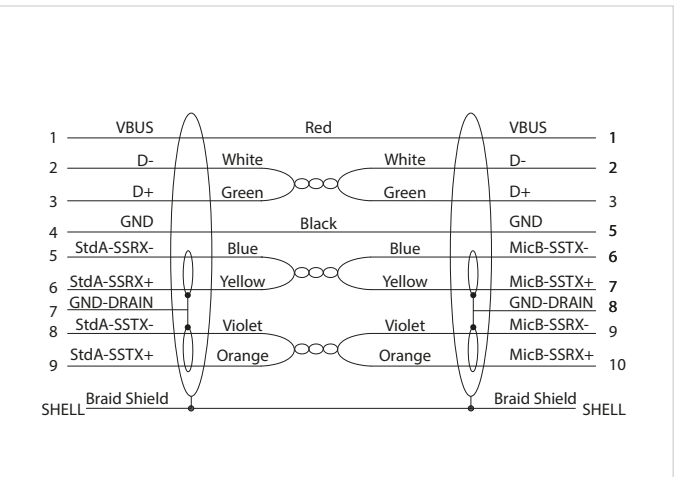


**IDS Product Data:**

Item number: AD00286  
 Matchcode: USB 3.0 Std. Cable, ang. right, screw., 3m  
 USB 3.0 Micro-B, right ang., screw. to USB-A  
 Date: 17.09.2019

**Zertificates:**  
**RoHS Compliant**

Item	Description
1	USB A 3.0 9 pin Moulded Plug <BLK>
2	A86-4730 [OD=6.2mm] <BLK> E357566-ALY-C UL2725 2STP (#26x2C) +1UTP#28+ 2C#22
3	USB MicB 3.0 sl 90D A14 10P Moulded Plug <BLK>
4	Cable Label



\* This document is the property of IDS Imaging Development Systems GmbH. It must not be copied or otherwise disclosed without prior written consent.