

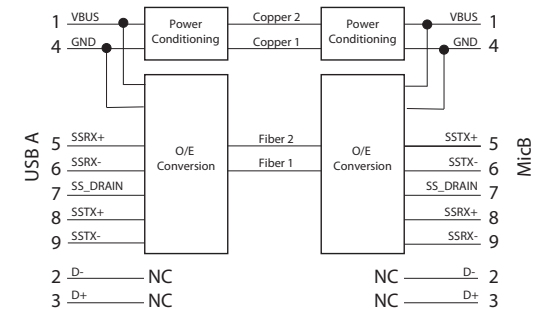
### IDS Product Data:

Item number: AD00300  
 Matchcode: USB3 AOC, USB-A to Micro-B, 30m, straight, screw.  
 USB 3.0 metal socket, Micro-B, straight, screw.  
 Date: 17.09.2019

### Zertificates:



Item	Description
1	USB A AOC (OD3.6 DCT)
2	A23-1288;USB AOC cable[OD=3.1mm] <BLK>
3	OM1- 2Fiber+2CopperAWG22 USB MicB AOC Hsl(OD3.6 DC)



Note: Pin No. as per Universal Series Bus 3.1 Specification  
 Pin designation at A connector is from Host perspective, and pin designation from B connector is from Device perspective

\* This document is the property of IDS Imaging Development Systems GmbH. It must not be copied or otherwise disclosed without prior written consent.