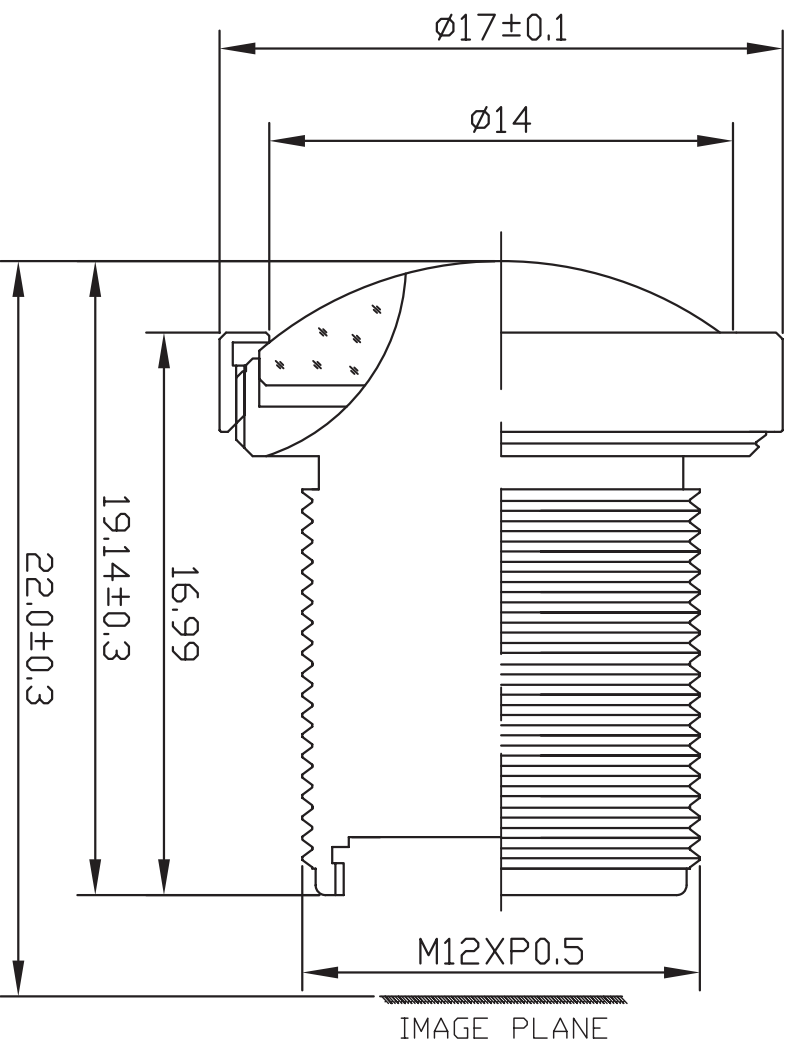


SPECIFICATION

- 1 Sensing Area: 1/2.5"
- 2 Focal Length: 2.5mm
- 3 Back Focal Length: 4.7mm
- 4 Image Height: 7.31mm
- 5 F/NO: 2.4
- 6 Iris: Fixed
- 7 Optical Distortion: <-83%
- 8 Field Angle (DxHxV):
MT9P001: 166° X132° X98.8°
- 9 Lens Construction: 7Glasses
- 10 Focus Extent: 100mm - ∞
- 11 Feature/Function: Suitable for 5Megapixel cameras



| TOLERANCE | | UNIT | MATERIAL | SCALE | SHEET | 1 OF 1 | QUANTITY | TYPE |
|----------------------|-------------|------|------------------|-------|----------|--------------|----------|-----------|
| DIMENSION | TOLERANCE | mm | | 5:1 | BORDER | A4 | NAME | PART NO. |
| X.XX | $\phi 0.05$ | | | | DRAWING | BY | | DATA BASE |
| X.X | $\phi 0.10$ | | | | CHECKED | BY | | REV/NO |
| X. | $\phi 0.30$ | | | | APPROVED | BY | | A |
| DO NOT SCALE DRAWING | | | | | | | | |
| TITLE | | | LENSAGON B5M2524 | | | CONFIDENTIAL | | |