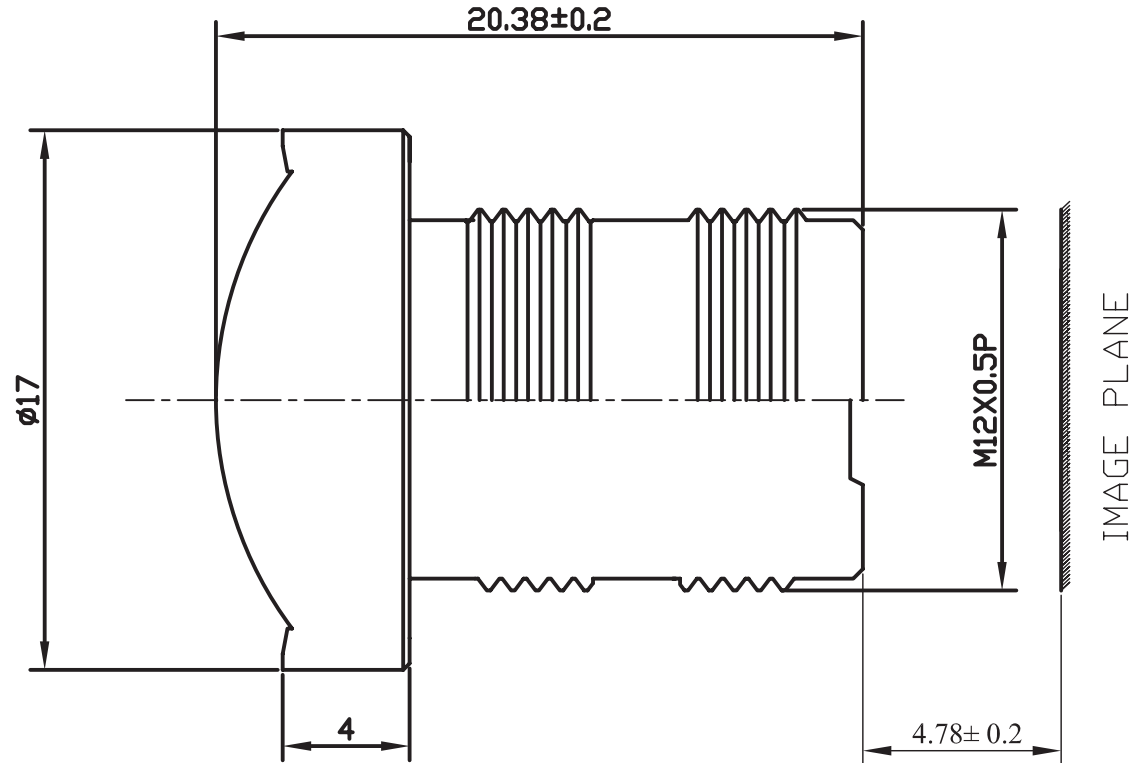



# SPECIFICATION

- 1 Sensing Area: 1/3" CCD/CMOS
- 2 Focal Length: 2.1 mm
- 3 Back Focal Length: 4.92mm
- 4 F/NO: 2.0
- 5 Iris: Fixed
- 6 Optical Distortion: <-60%
- 7 Lens Construction:
  - 6 Components 6Glasses
- 8 Field Angle (Diagonal): 151°
- 9 TOTR=25.16± 0.2mm
- 10 Focus Extent: 20 cm - ∞
- 11 Weight : 6.5g



TOLERANCE		UNIT	MATERIAL	SCALE	SHEET	QUANTITY	TYPE	
DIMENSION	TOLERANCE	mm		5:1	1 OF 1		PART NO.	REV.NO
X.XX	±0.05		 <b>LENSATION</b> smart lenses. smart solutions.	BORDER	NAME	DATE	DATA BASE	
X.X	±0.10			A4				
X.	±0.30		TITLE	CHECKED			<b>CONFIDENTIAL</b>	
DO NOT SCALE DRAWING			Lensagon BT2120	BY				
				APPROVED				
				BY				